

L T T C

TEMPO Tap Range

Tempo Cold to Hot Single Mixer Tap Chrome



Specification

Product Type:	Taps
Main Construction Material:	Brass
Mount Type:	Deck Mounted
Handle Type:	Single Lever
Connection Inlet:	M10 x 15mm Screw-In Flexible Tails
Connection Outlet:	Open
Number of Tap Holes:	1
Valve/Cartridge Type:	35mm Ceramic Cartridge
Plumbing System Requirements:	All - Ideally Balanced
Working Pressure Range:	Min. 0.2 Bar, Max. 8.0 Bar
Maximum Hot Water Temperature: °C	65
Maximum Static Pressure: (bar)	10
Flow Type:	Single
Isolation Included:	No

Features:

- Metal fixing nut for added durability
- Easy to use long lever single control for temperature and flow
- Supplied with pair of isolating valves and optional flow regulating spray guide to 3.5 L/min
- Incorporates safety feature allowing maximum water outlet temperature to be controlled by repositioning the plastic collar under the control lever to limit its travel
- Flexible tails included

Product Certifications:



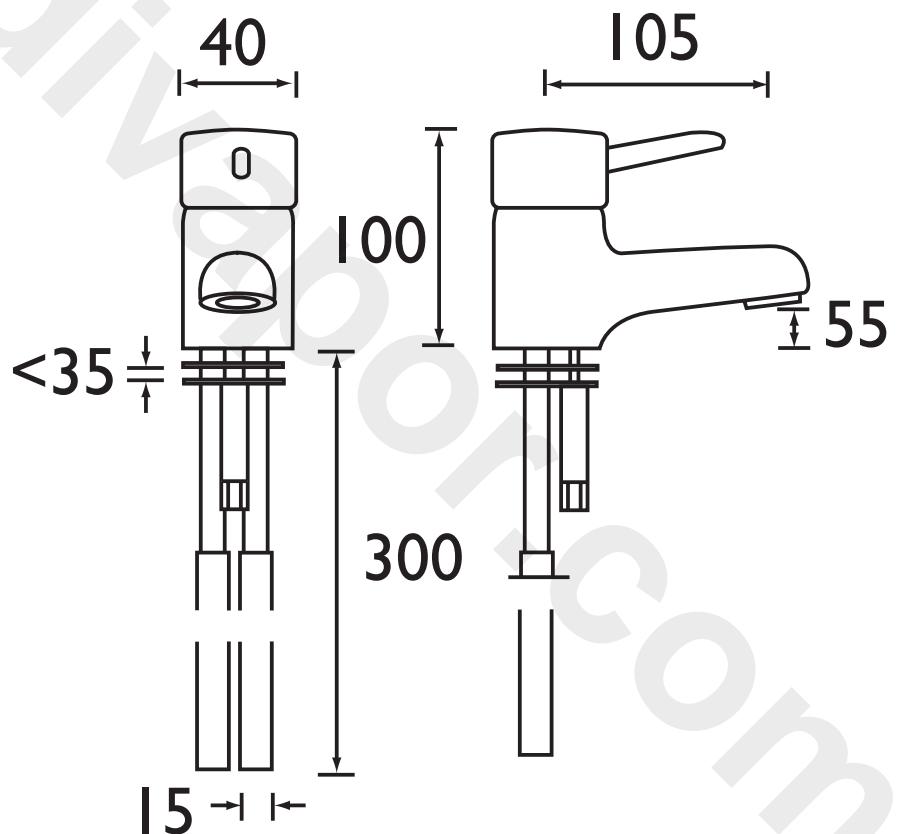
WRAS Cert. Number: 1507003
WRAS Expiry Date: 31/07/2020



For more products, visit our website:
<http://www.bristan.com>



Dimensions (measurements in mm)



Flow Rates (l/min)

System Pressure (bar)	0.2	0.5	1	2	3	5
L T T C	6.2	9.9	13.9	20	24.5	31.6

TECHNICAL DATA SHEET



BRISTAN

TAPS & SHOWERS

D5